

Transducer for conductivity MW22TA32

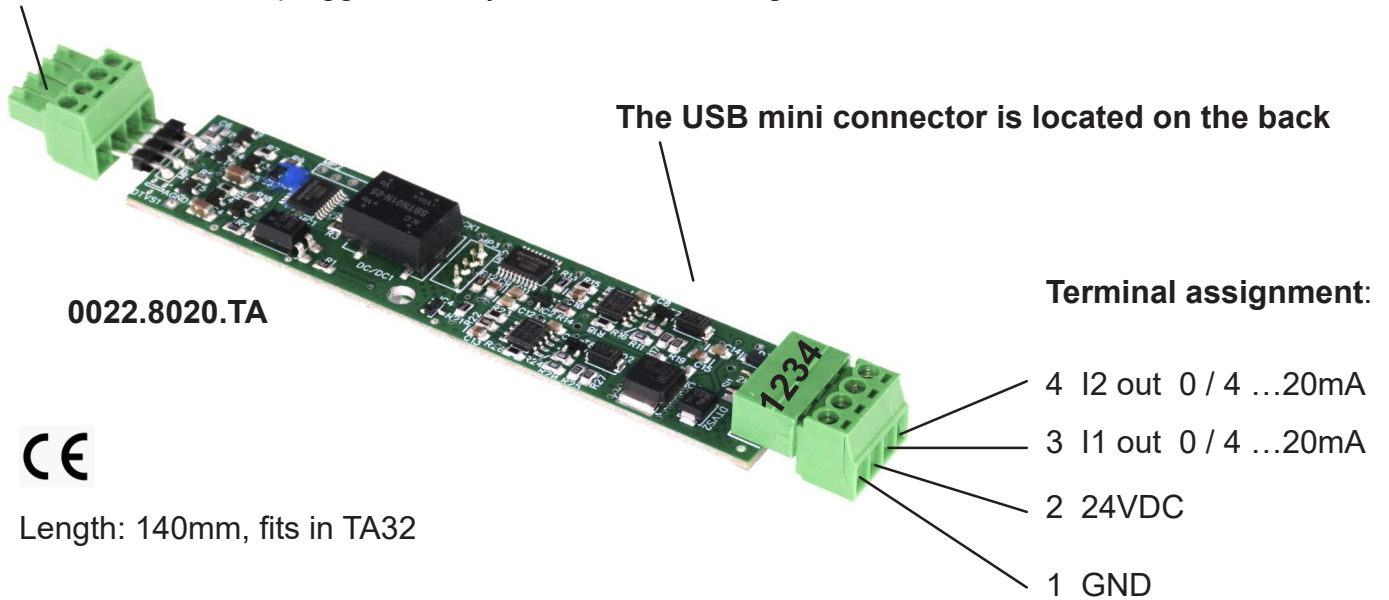


For conductive measurement in liquids.

From the immersion assembly directly to the PLC!

Programmable with **2 x current output: 0(4)...20mA** for conductance and for temperature.

The transducer is plugged directly onto the measuring cell.



Measuring range with measuring cell: (ZK = cell constant)

CC 0,01	CC 0,1	CC 1
Measuring range selection 0... in nS / μS / mS /cm		200 mS
		100 mS
		50 mS
		20 mS
		10 mS
		5 mS
		2 mS
	1000 μ S	1000 μ S
	500 μ S	500 μ S
	200 μ S	200 μ S
100 μ S	100 μ S	100 μ S
50 μ S	50 μ S	
20 μ S	20 μ S	
10 μ S	10 μ S	
5 μ S		
2 μ S		
1 μ S		
500 nS		
200 nS		
100 nS		

Transducer for conductivity MW22



To configure the transducer, please install the LMA / MW22 software.

Download:

<https://www.imo-ag.biz/gx2/en/pH-redox-conductivity-meters/MW22/>

For the connection to your PC / laptop you need a USB A -Mini B cable.

Please note, to configure the MWTA32, the supply voltage of 24VDC must be applied.

Technical data: (subject to change)

Temperature compensation	Tc nat , Tc lin 0...6,0
Reference temperature	25°C
Measurement accuracy, after fine adjustment	±2% , ±1%
Operating voltage	12 / 24 VDC ± 10% see nameplate
Current consumption	< 50 mA
Galvanic isolation	Measurement input is galvanically isolated.
Cable connection	0,14...0,5 qmm
Ambient temperature	-20...50°C
Weight	20 gram